

## 6.4 Power Cables for Motor Connection RLS1100

### Power Cable Cross Section 1.0 mm<sup>2</sup>

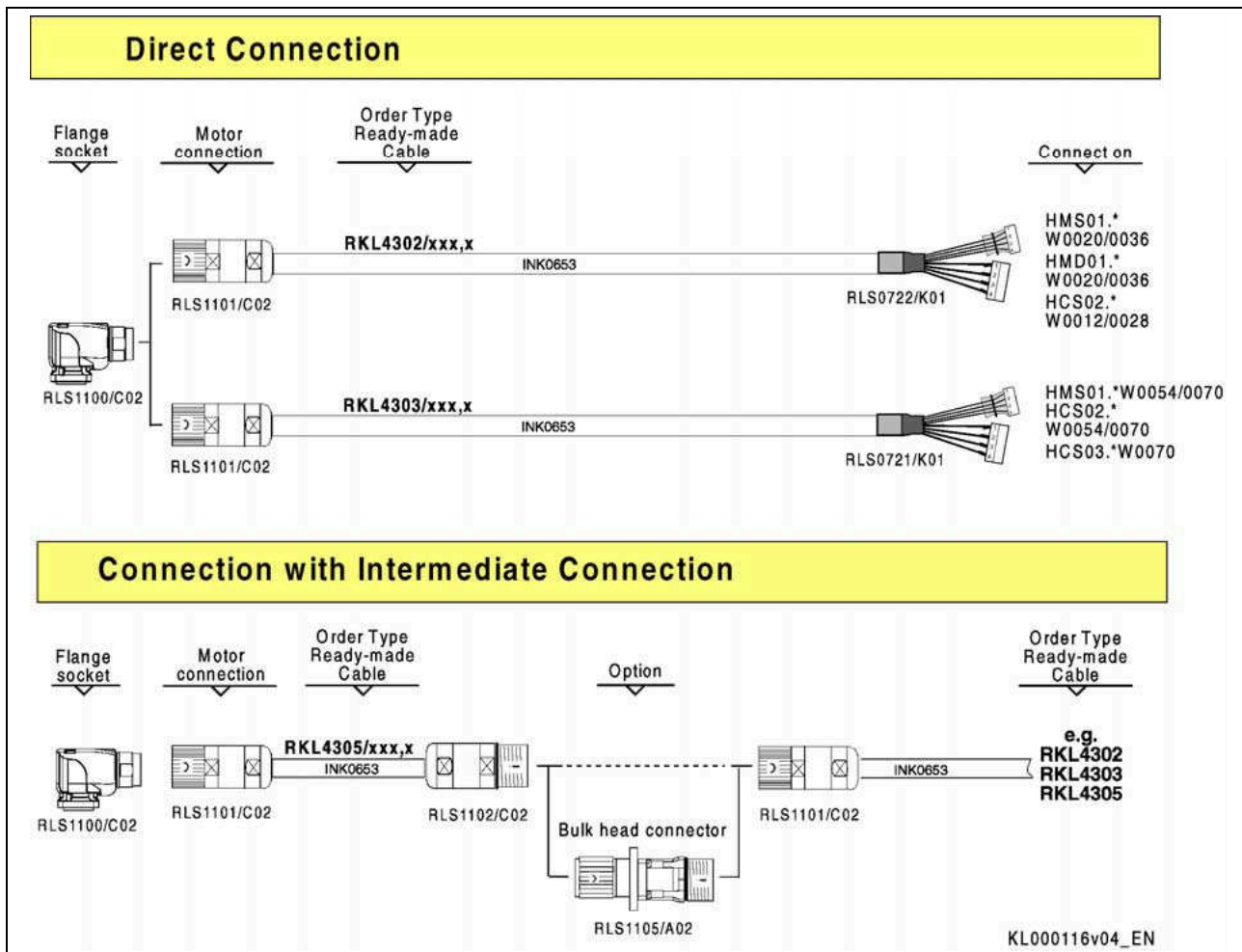


Fig. 6-14: Motor power connection 1.0 mm<sup>2</sup> to RLS1100 flange socket – RKL4302, RKL4303, RKL4305