



99484401-60 x 25 mm

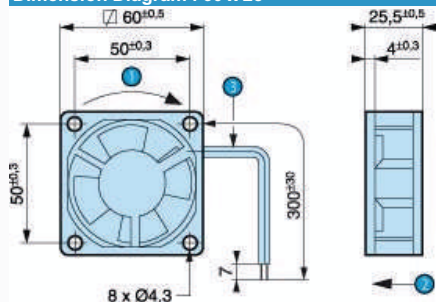


- ✓ air flow: 1.5 to 110 CFM
- ✓ acoustic noise: 23 to 45 dB A

Bearings

Material Plastic body	PBT UL 94V-0
Material Fan	PBT UL 94V-0
Insulation (IEC 664-1)	Class E
Approved UL, CSA and TUV	✓
Available with ball bearings on request, in suitable quantities	✓
Weight (g) 120 x 38 mm	328
Weight (g) 92 x 25 mm	135
Weight (g) 80 x 25 mm	120
Weight (g) 60 x 25 mm	60
Weight (g) 60 x 15 mm	45
Weight (g) 40 x 20 mm	35
Weight (g) 40 x 10 mm	20
Weight (g) 25 x 10 mm	7,5
Minimum order quantity: 120 x 38 mm	40 units
Minimum order quantity: 92 x 25 mm	50 units
Minimum order quantity: 80 x 25 mm	50 units
Minimum order quantity: 60 x 25 mm	100 units
Other types: minimum quantity	500 units

Dimension Diagram : 60 x 25



N°	Legend
1	Rotation
2	Air flow
3	UL 1007 24 AWG\ + red\ - black

Curves : 99 484 401 - 99 484 403

