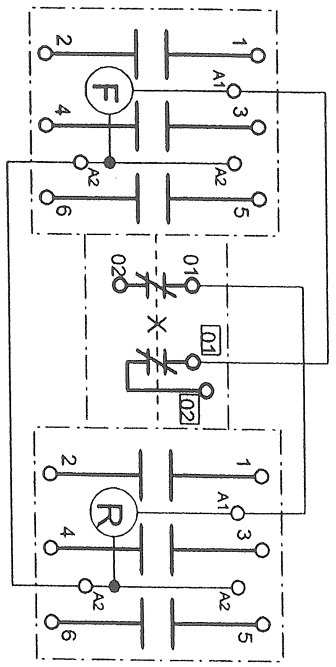
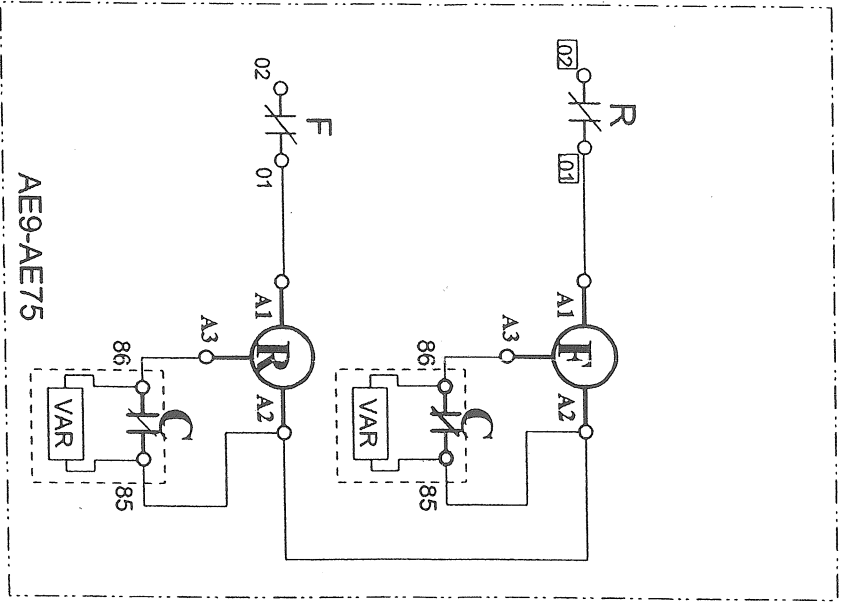
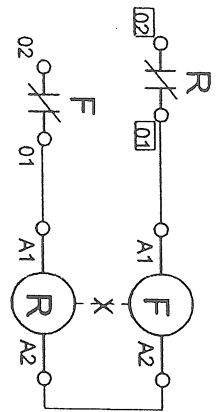
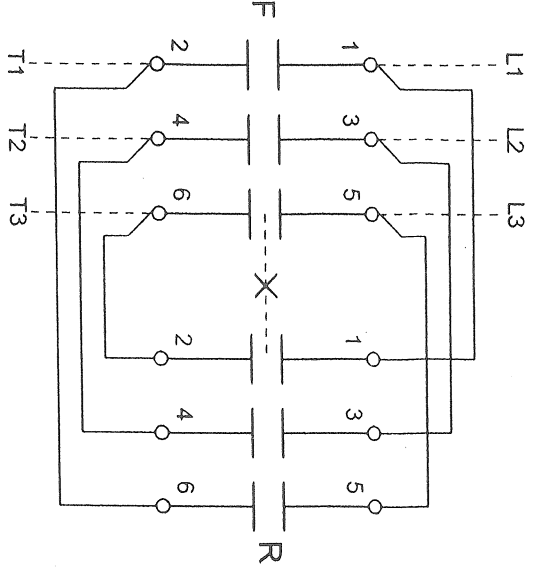
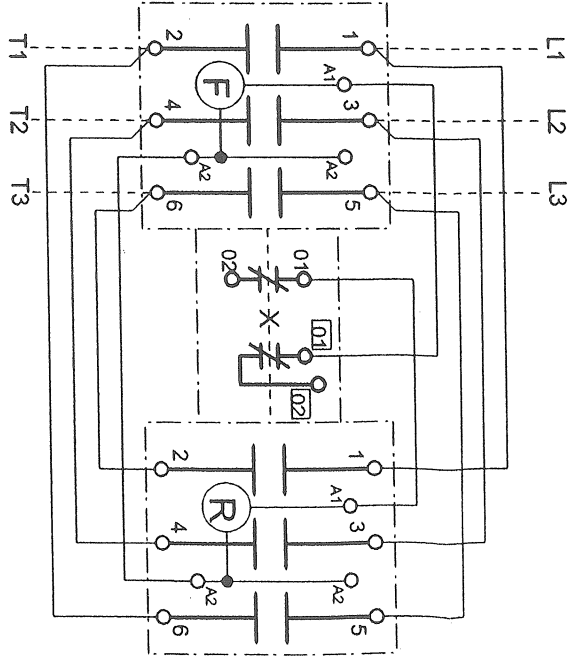


MECHANICALLY INTERLOCKED CONTACTORS SCHEMATIC



MECHANICALLY INTERLOCKED CONTACTORS WIRING DIAGRAM



REVERSING CONTACTOR WIRING DIAGRAM

REVERSING CONTACTORS SCHEMATIC

REVISION C:ECN 3147, ADDED AE9-AE75 SCHEMATIC.



ABB Control Inc.

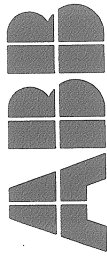
THIS DRAWING IS THE PROPERTY OF ABB Control Inc. AND CONTAINS PROPRIETARY AND CONFIDENTIAL INFORMATION WHICH MUST NOT BE DUPLICATED, USED OR DISCLOSED OTHER THAN EXPRESSLY AUTHORIZED BY ABB Control.

ORIG. DATE	4/30/98
DRAWN	RKB
CHKD	
APPRD	
PAGE	

DATE	10/12/99
REV.	MWR
	REV.

TITL	A LINE MECH INTERLOCKED AND REVERSING CONTACTORS SCHEMATIC & WIRING DIAGRAM
DWG NO.	D 2000 1011-859

CUST



Type A Contactors - UL Interruption Ratings

A9, 12	600V AC	5 kA with 35 Amp K5 or RK5 Fuse	A50	600V AC	5 kA with 100 Amp K5 or RK5 Fuse
	600V AC	200 kA with 30 Amp J Fuse		600V AC	200 kA with 100 Amp J Fuse
	600V AC	35 kA with 10 Amp MCCB or MCP		480V AC	85 kA with 150 Amp MCCB or MCP
	480V AC	35 kA with 50 Amp MCCB or MCP			
A16	600V AC	5 kA with 50 Amp K5 or RK5 Fuse	A63, 75	600V AC	10 kA with 125 Amp K5 or RK5 Fuse
	600V AC	200 kA with 30 Amp J Fuse		600V AC	200 kA with 200 Amp J Fuse
	480V AC	35 kA with 50 Amp MCCB or MCP		600V AC	50 kA with 200 Amp Type J Fuse
A26	600V AC	5 kA with 90 Amp K5 or RK5 Fuse		600V AC	10 kA with 125 Amp MCCB or MCP
	600V AC	200 kA with 60 Amp J Fuse		480V AC	85 kA with 250 Amp MCCB or MCP
	600V AC	35 kA with 100 Amp MCCB or MCP			
A30	600V AC	5 kA with 100 Amp K5 or RK5 Fuse			
	600V AC	200 kA with 60 Amp J Fuse			
	600V AC	25 kA with 150 Amp MCCB or MCP			
	480V AC	65 kA with 150 Amp MCCB or MCP			
A40	600V AC	5 kA with 100 Amp K5 or RK5 Fuse			
	600V AC	200 kA with 100 Amp J Fuse			
	600V AC	25 kA with 150 Amp MCCB or MCP			
	480V AC	65 kA with 150 Amp MCCB or MCP			



LISTED

D 6901 0000-013
REV. B

Includes AE dc-operated versions.

ABB Inc.
Wichita Falls, TX