



# "Illuminator" Series Part Numbering System

## Actuator Style (See Page 2, Figs 1 - 4)

Code	Style
1	Lens Top or Left
2	Lens Bottom or Right
3	Two Lenses
4	Lock Both Ends with Lens Top or Left
5	Lock in Center with Lens Top or Left
6	Lock Both Ends with Lens Bottom or Right
7	Lock in Center with Lens Bottom or Right
Y	Lock in (1) End with Lens Top or Left (Lens Locked Actuated Position)
W	Lock in (1) End with Lens Bottom or Right (Lens Locked Actuated Position)
T	Lock in (1) End with Lens Top or Left (Lens Locked in "UP" Position)
S	Lock in (1) End with Lens Bottom or Right (Lens Locked in "UP" Position)

## Icon (Location - Top or Left "only") (See page 8 for Icon Selection Table)

Code	Function
DF	Oil

(Code "ZZ" = No icon)

## Icon (Location - Bottom or Right "only") (See page 8 for Icon Selection Table)

Code	Function
BF	Horn

(Code "ZZ" = No icon)

## Diffusion Lens Color (Location - Top or Left "only")

Code	Color
0	None
1	Amber
2	Blue
3	Green
4	Red
5	White

## Diffusion Lens Color (Location - Bottom or Right "only")

Code	Color
0	None
1	Amber
2	Blue
3	Green
4	Red
5	White

## Mounting Position

Code	Position
H	Horizontal
V	Vertical

## Baffle (Light Intensity Deflector)

Code	Location
A	(1) Top or Left
B	(1) Bottom or Right
C	(2) Baffles
Z	None

**B 01 A 5 J H 3 DF 2 ZZ 3 Z = B01A5JH3DF2ZZ3Z**

## No. of Poles

Code	Selection
A	Single
B	Double

## Bezel Color/Option

Code	Color/Option
A	Black/Silver Contacts

## Bezel Style

Code	Style
1	Panel Sealed
3	Panel Sealed - Locking
5	Without Panel Seal
7	Without Panel Seal - Locking

## Lamp Selection

Code	Voltage	No. Lamps	Location
A	6 Vdc	1	Top or Left
B	6 Vdc	1	Bottom or Right
C	6 Vdc	2	Both Locations
D	14 Vdc	1	Top or Left
E	14 Vdc	1	Bottom or Right
F	14 Vdc	2	Both Locations
G	28 Vdc	1	Top or Left
H	28 Vdc	1	Bottom or Right
J	28 Vdc	2	Both Locations

## Circuit Arrangement

Code	Top or Left	Center	Bottom or Right	Code	Top or Left	Center	Bottom or Right
01	On	Off	On	△ 15	On	On	Mom On
02	Mom On	Off	Mom On	△ 16	Mom On	On	Mom On
03	On	Off	On	50	Mom On	Off	On
04	On	None	On	51	Mom On	None	On
05	On	None	Mom On	52	None	Off	On
06	On	Off	None	53	Mom On	Off	None
07	None	Off	Mom On	54	None	Mom Off	On
08	On	Mom Off	None	55	Off	None	On
09	On	None	Off	56	Mom Off	None	On
10	On	None	Mom Off	57	Mom On	None	Off
11	Off	None	Mom On	58	None	On	Mom On
12	Mom On	On	None	59	None	On	On
13	On	On	None	△ 60	Mom On	On	On
△ 14	On	On	On				

△ = Double pole switches only

## Part Number Worksheet

No of poles	Circuit arrangement	Bezel color	Bezel style	Lamp selection	Mounting position	Actuator style	Icon - Top or Left	Diff. Lens color	Icon - Bot. or Right	Diff. Lens color	Baffle
B	01	A	5	J	H	3	DF	2	ZZ	3	Z



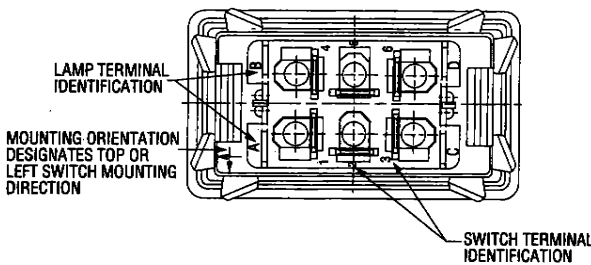
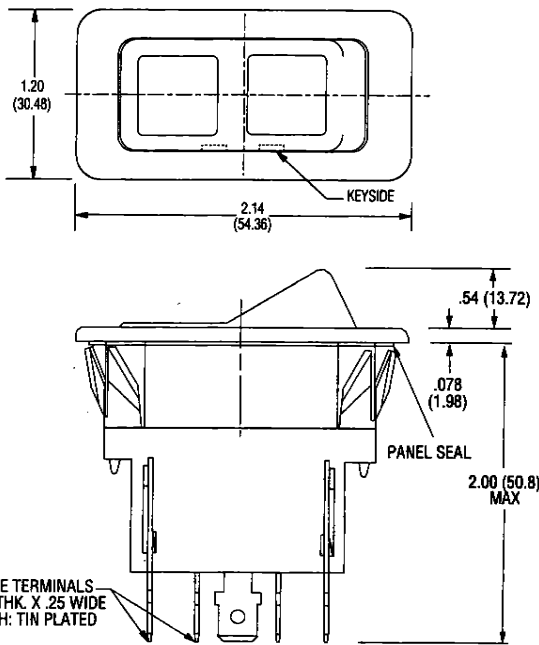
# "Illuminater" Series Engineering Data

S I N G L E	Type of Operation	Electrical Ratings					
		6 & 14 Vdc			28 Vdc		
		Lamp Load	Resis- tive Load	Induc- tive Load	Lamp Load	Resis- tive Load	Induc- tive Load
Maintained	7.5	25	15	5	20	15	
Momentary	6	20	10	4	15	10	

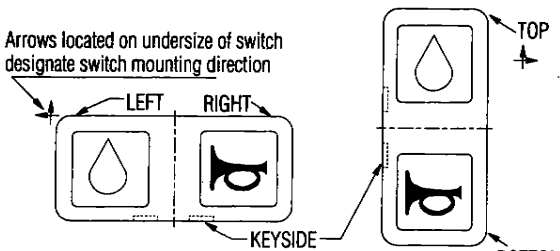
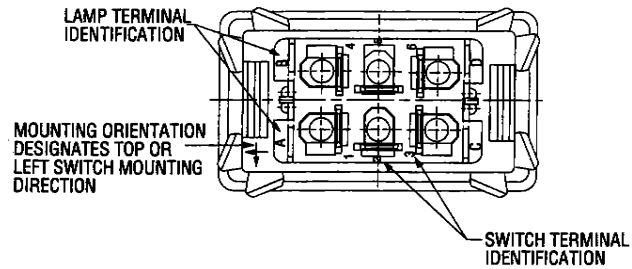
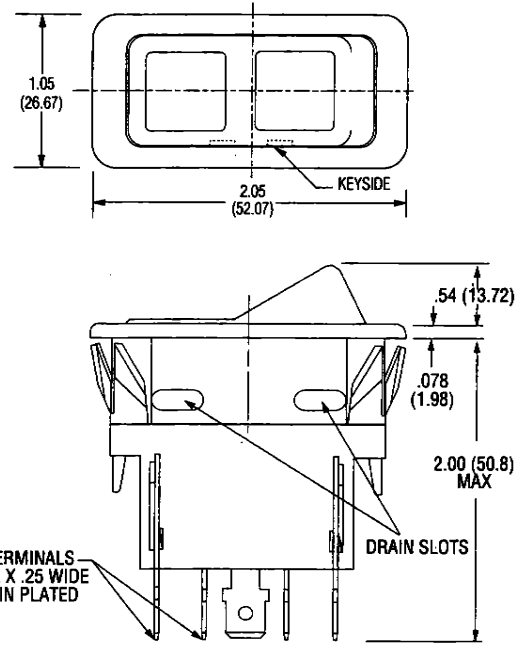
D O U B L E	Type of Operation	Electrical Ratings					
		6 & 14 Vdc			28 Vdc		
		Lamp Load	Resis- tive Load	Induc- tive Load	Lamp Load	Resis- tive Load	Induc- tive Load
Maintained	10	30	20	7	20	15	
Momentary	7.5	25	15	5	18	10	

**For recommended Panel Cut-Out see page 7**

### With Panel Seal

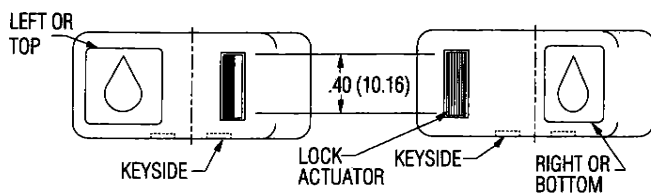


### Without Panel Seal



**Figure 1**  
Horizontal Mount

**Figure 2**  
Vertical Mount



**Figure 3**  
Locking Actuator Styles 4, 5, Y, & T

**Figure 4**  
Locking Actuator Styles 6, 7, W, & S