

ANT-12P (old model : SST-2400A-12P)

5 Km external antenna for SST-2450



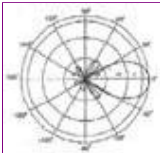
Electrical Specification

- Gain : 12dBi
- VSWR : 2.0 Max.
- Polarization : Linear
- Power handling : 10W
- Impedance : 50 Ohms
- Installation Guide <[English](#)> <[Chinese](#)>

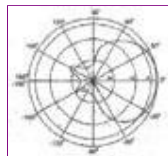
Dimension

- Dimensions: 310 mm x 185 mm x 74 mm

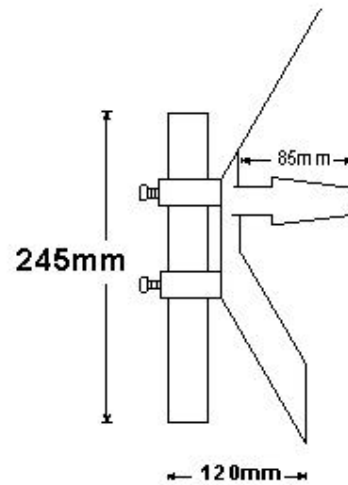
Gain Pattern



Vertical



Horizontal



Application



SST-2450 with ANT-12P

Ordering Information

ANT-12P	5 Km external antenna for SST-2450 (Directional) Gain : 12dBi
---------	--