

# Power Cable Cross Section 1.5 mm<sup>2</sup>

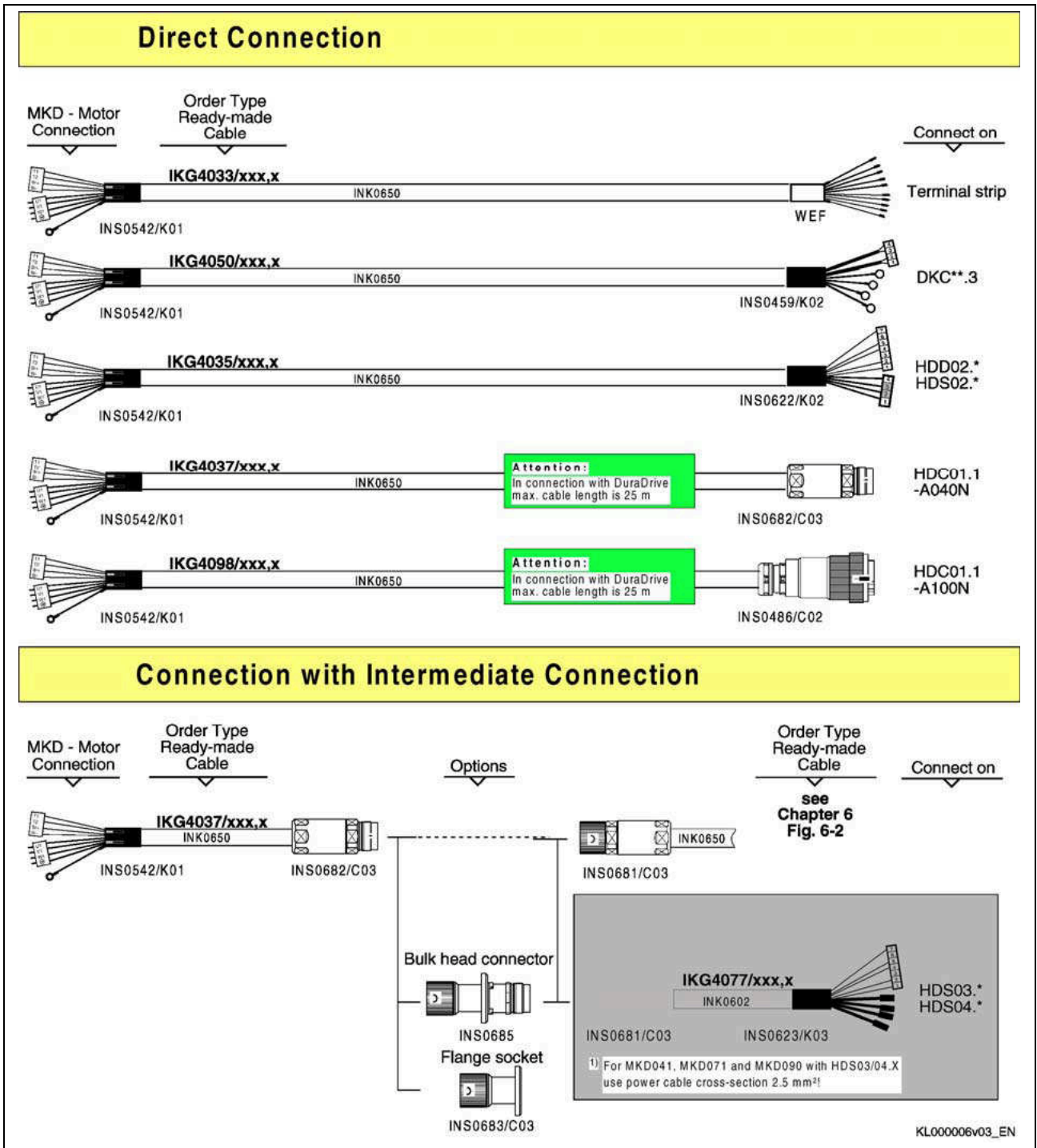


Fig. 7-2: Motor power connection 1.5 mm<sup>2</sup> to terminal box with INS0542 IKG4033, IKG4050, IKG4035, IKG4037, IKG4098, IKG4037, IKG4077