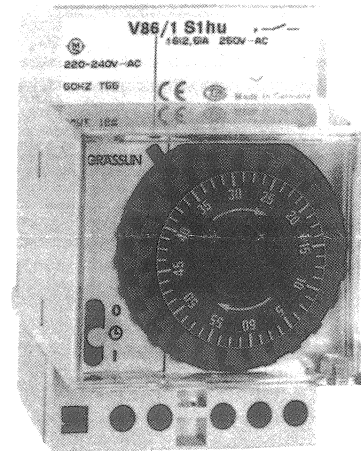


V86/1 S1hu One Hour Time Switch

The V86/1 S1hu is a synchronous motor driven electromechanical one hour time switch intended as a low cost repeat cycle timer for industrial processes and other applications. It provides continuous on and off cycling of a load in a pattern which will repeat every hour. Captive trippers allow setting up to 20 on and 20 off times in 1.25 minute increments over a one hour period. It may be used in conjunction with a GRASSLIN 24 hour or 7 day time switch to provide repeat cycle timed switching only during selected periods of the day or week. It may be surface or DIN rail mounted within panels, or may be mounted in a GRASSLIN indoor or outdoor enclosure.



SPECIFICATIONS

Timer Input: 120V 60Hz or 208/240V 60Hz

Power Consumption: Approx. 1VA

Switch Output: SPDT Isolated Contacts
 16A Resistive, 125/250VAC
 2.5A Inductive, 125/250VAC
 1350W Tungsten, 240V
 675W Tungsten, 120V

Shortest Switching Time: 1.25 Minutes

Operating Temperature: -13°F to 130°F

Operating Humidity: 0 to 95% RH Non-Condensing

Manual Override: ON - AUTO - OFF

Wiring Connections: Screw Terminals For Up To #12 AWG wires

ORDERING DATA

Model	Voltage
V86/1 S1hu-120	120V 60Hz Input
V86/1 S1hu-240	208/240V 60Hz Input

ACCESSORIES

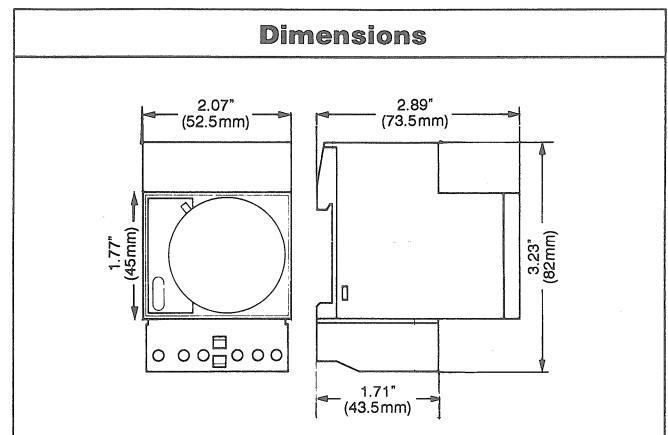
E150 Metal NEMA 1 Indoor Enclosure with Clear Window

E100 Plastic NEMA 1 Indoor Enclosure

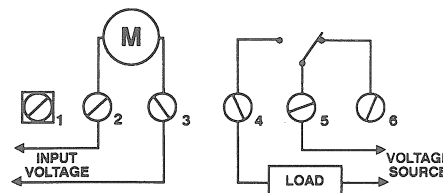
E200 Plastic NEMA 3R Outdoor Enclosure

INSTALLATION

1. Disconnect power supply prior to installation.
2. With a screwdriver, pry down the red catch on the rear bottom of the timer until it clicks. Remove plastic mounting base.
3. Install mounting base in panel with the 40mm (2.75") marking showing and at the top.
4. Place timer on plastic mounting base (or DIN rail) and snap red catch upward to lock timer onto base.
5. Wire to proper voltage as marked on the timer in accordance with National and Local electrical codes. **NOTE:** A ground connection to the timer is not required. Wiring to incorrect voltage will void the warranty.
6. Apply power and check operation of timer.



Terminal Connections



NOTE:
Terminal 1 is blank. It may be used as a connection for ground wires.

OPERATING INSTRUCTIONS

1. Depress green trippers for ON time periods desired.
2. Raise (pull outward) green trippers for OFF time periods.
3. Rotate dial clockwise to desired starting point or to minutes of the hour if this timer is being synchronized with the time of day or used in conjunction with a time of day time switch.

Manual Override

1. The black lever at the lower left of dial should be in the middle "⊙" position for normal (Auto) operation.
2. Move the lever up to the ⊙ position to turn the switch continuously OFF.
3. Move the lever down to the ▮ position to turn the switch continuously ON.

ISO 9001 CERTIFIED

GRASSLIN CONTROLS CORPORATION

31 Industrial Ave. • Mahwah, New Jersey 07430 • Tel.: 201-825-9696 • Fax: 201-825-8694